



PRODUCT CERTIFICATION
www.steelcertification.com

Australasian Certification Authority for Reinforcing and Structural Steels Ltd
Certificate of Product Performance

Certificate Number: 31102



LIBERTY ONESTEEL
LAVERTON, VIC, AUSTRALIA

has satisfied the Authority that it complies with the rules of the ACRS Product Certification Scheme, and the relevant ACRS Quality and Operations Assessment Procedures. Where appropriate, and as listed below, it has further satisfied the Authority that it manufactures and/or supplies products that conform with the standards listed below, and is entitled to use the ACRS mark in relation to the products listed on this certificate.

Scope of Certification

Reinforcing Bar Manufactured to AS/NZS 4671:2001

Full details of the products for which certification has been achieved should be viewed at: www.steelcertification.com

By authority of
ACRS Board:


Philip Sanders, Executive Director

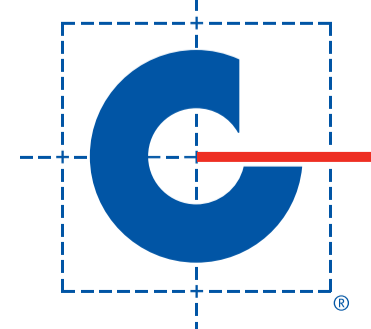
Valid until:

31 December 2018

First certified:

November 2003

JAS-ANZ



www.jas-anz.org/register



PRODUCT CERTIFICATION
www.steelcertification.com

Australasian Certification Authority for Reinforcing and Structural Steels Ltd
Products assessed by ACRS to AS/NZS 4671:2001

To be read in conjunction with
Certificate Number: 31102



LIBERTY ONESTEEL
LAVERTON, VIC, AUSTRALIA

has satisfied the Authority that it complies with the relevant ACRS Quality and Operations Assessment Procedures. Where appropriate, and as listed below, it manufactures products as indicated by "✓", below and is entitled to use the ACRS mark with these products.

Products manufactured :

AS/NZS 4671 Grade 500N Ribbed Bar

Bar	12, 16 mm	✓
	20, 24, 28 mm	✓
	32, 36, 40 mm	✓

Bar Markings

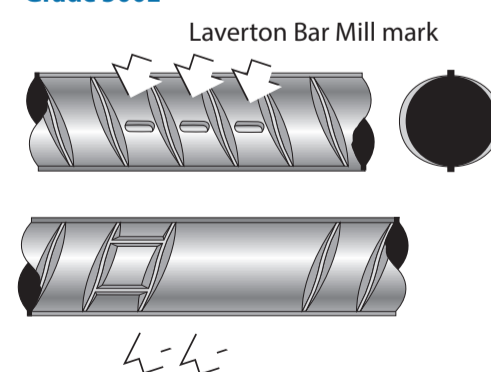
D250N and D500N Straight Bar



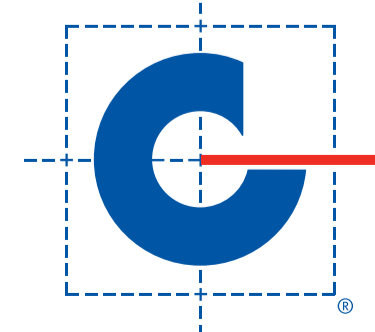
AS/NZS 4671 Grade 500E Ribbed Bar

Bar	12, 16 mm	✓
	20, 25 mm	✓
	32 mm	✓

Grade 500E



JAS-ANZ



www.jas-anz.org/register